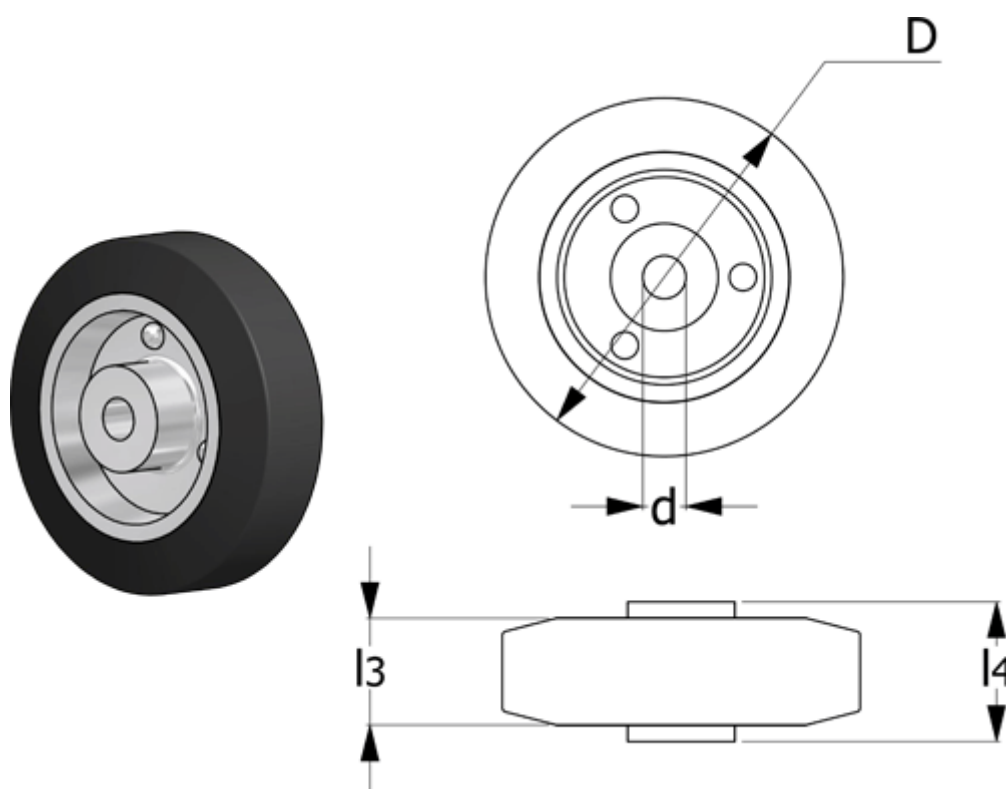


Article number: 2314450012

Description: E+G rubber wheel 450012
RE.E3-125-RBL loose wheel

Measures



Code = 450012

d = 15

D = 125

Dynamic load (N) = 1300

g = 510

H = -

l3 = 37.5

l4 = 44

Max static load (N) = 3300

Rolling resistance (N) = 850

Type = RE.E3-125-RBL